

SANDA

ADDITIONAL INFORMATION TO CONVERT THE SANDA INSTRUCTIONS TO MAKE A BOUND/UNLINED JACKET/COAT.

YOU WILL NEED

0.8M/1YD FABRIC FOR BIAS BINDING FOR JACKET OR COAT - BIAS BINDING IS CUT AT 45 DEGREES TO THE SELVEDGE AND IS 3.5CM WIDE.

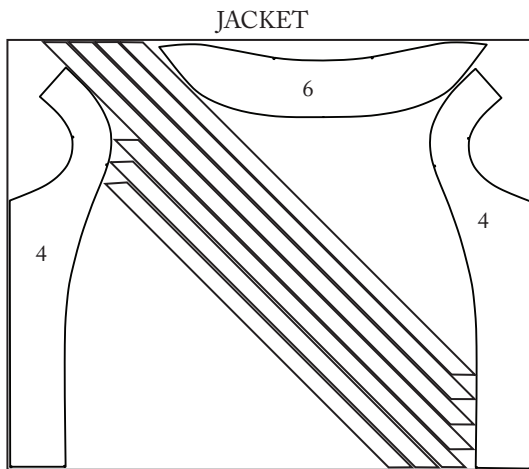
3.5CM BIAS BINDING MAKER (OPTIONAL).

IF MAKING A QUILTED JACKET BUT CHOOSING TO USE A DIFFERENT NON-QUILTED FABRIC FOR FACINGS, COLLAR & BINDING (SEE LAYOUTS & QUANTITIES NEEDED BELOW):

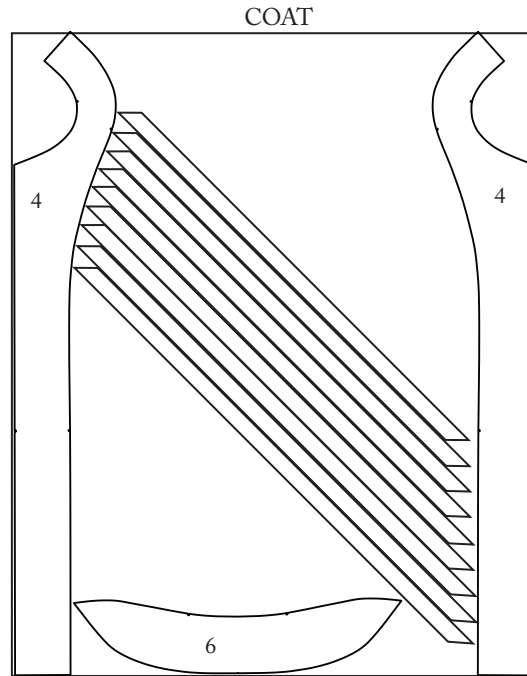
0.9M/1YD FOR A JACKET.

1.4M/1½YD FOR A COAT.

THESE LAY PLANS SHOW HOW TO UTILISE THE SPACE BETWEEN PATTERN PIECES FOR YOUR BIAS BINDING IF USING THE SAME FABRIC FOR UNDER COLLAR (6) & FRONT & BACK YOKE FACING (4). BIAS BINDING IS CUT AT 45 DEGREES TO THE SELVEDGE AND IS 3.5CM WIDE.



110-150 wide, all sizes.
Sizes 6-16 - 6 bias strips needed.
Sizes 18-28 - 7 bias strips needed.



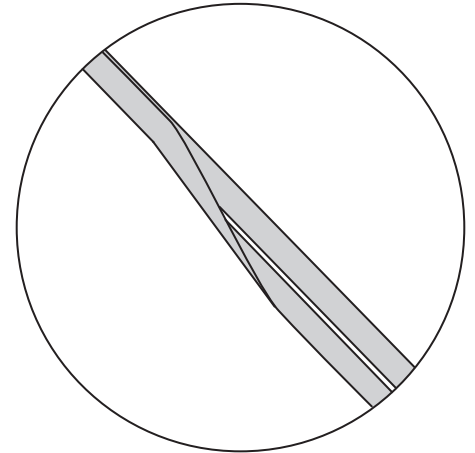
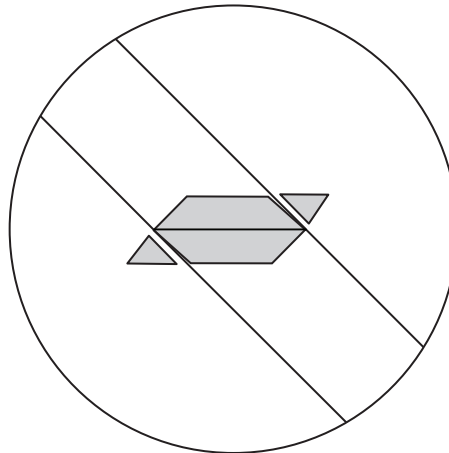
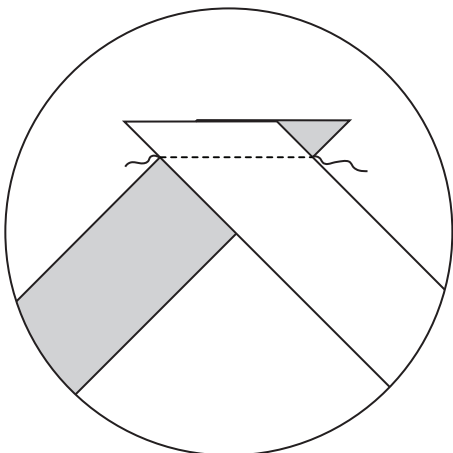
110-150 wide, all sizes.
Sizes 6-16 - 8 bias strips needed.
Sizes 18-28 - 9 bias strips needed.

SEAM BIAS STRIPS

With right sides together and using a 1cm seam allowance, seam the bias strips together until you have one continuous piece.

Press seams open and trim.

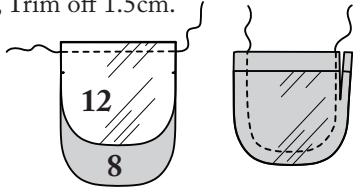
Press the edges into the centre, then fold together manually or by using a bias binding maker.



WORK STEPS 1-2 FROM SANDA INSTRUCTIONS

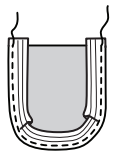
PREPARE PATCH POCKET (JACKET ONLY)

3. With right sides together, stitch PATCH POCKET LINING (12) to PATCH POCKET (8). Press* seam down. With wrong sides together, match the edges of the lining to the self pocket and stitch 2cm away from the edge, Trim off 1.5cm.

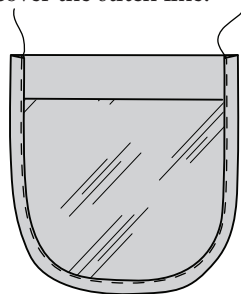


With the right side of the binding to the right side of the pocket, stitch at the first pressed fold line of binding. Cut the length of the binding down to size required, leaving 1cm proud at the beginning and end.

Bring the binding round to the inside. Tuck in the binding at the top. Tack to cover the stitch line.

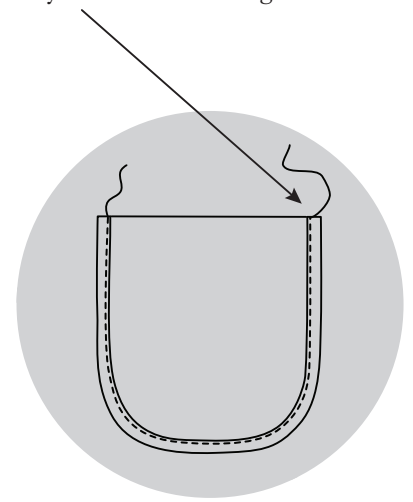
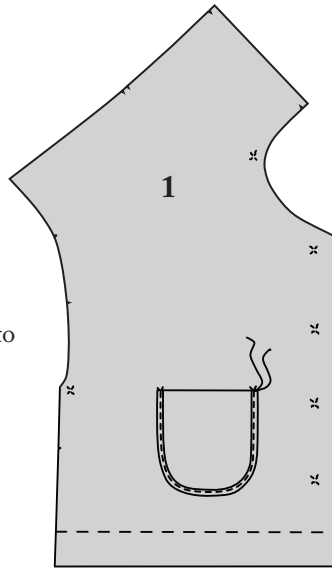


Shown: Jacket.



APPLY PATCH POCKET (JACKET ONLY)

4. With the wrong side of the POCKETS (8 & 12) to the right side of the FRONT & BACK YOKE (1) pin where indicated on the pattern and topstitch over the tacking, through all layers. Remove tacking.

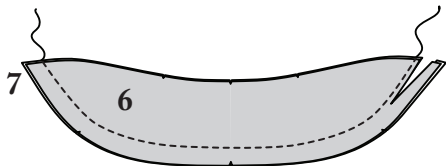


Shown: Jacket.

WORK STEPS 5-15 & 21-22 FROM SANDA INSTRUCTIONS

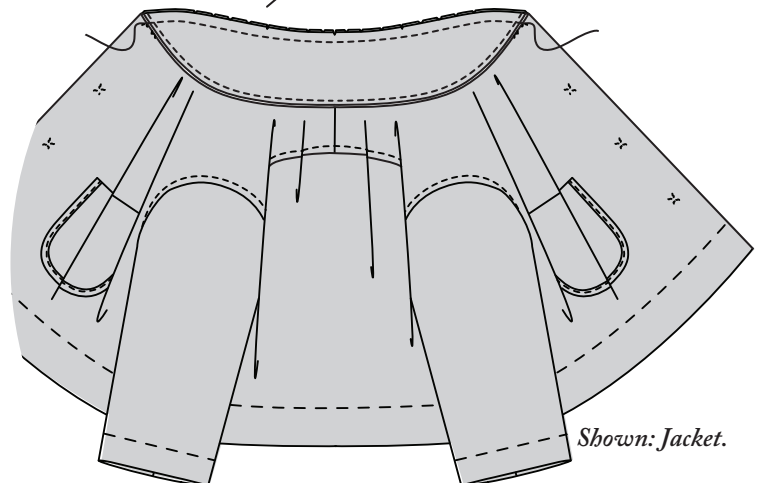
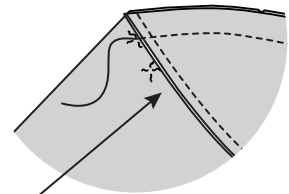
MAKE COLLAR

23. With wrong sides together, stitch UNDER COLLAR (6) to TOP COLLAR (7) at the outer (longer) curve, 2cm from the edge, stretching the under collar to fit. Trim off 1.5cm.



ATTACH COLLAR

24. With right side of under collar facing the right side of the neckline, matching notches (collar starts and ends at tailor tacks) attach the collar to the neck, stitching 1.4cm from the edge. Snip into the staystitching if necessary.

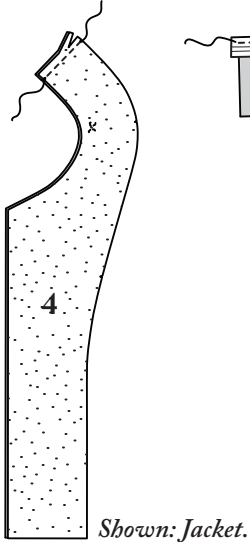


Shown: Jacket.

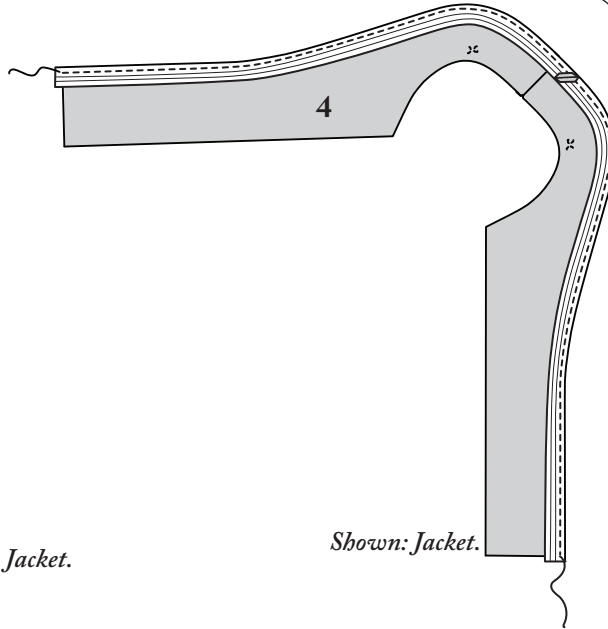
*Pressing oilskin should be avoided, instead - flatten with the blunt side of your scissors/shears or with a corner turner. Seams can also be opened by pressing with your thumb and index finger.

CB SEAM & NEATEN EDGE OF FACING

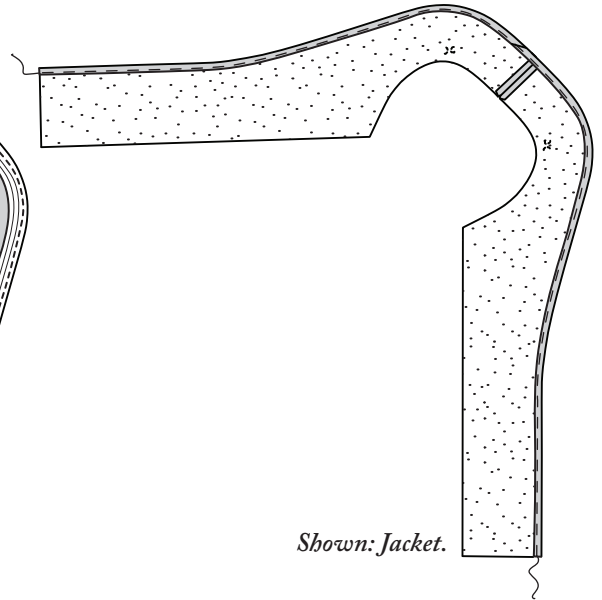
25. With right sides together, stitch FRONT & BACK YOKE FACING (4) together at CB seam. Trim seam to 1cm. Press* seam open.



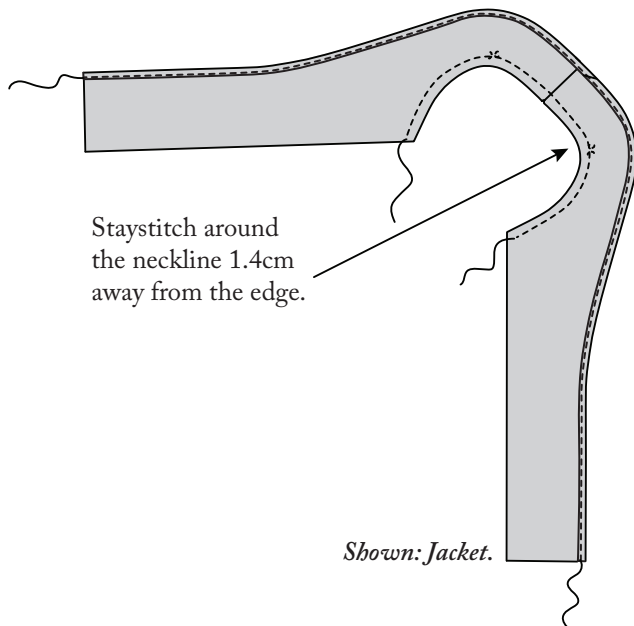
26. With the right side of the binding to the right side of YOKE FACING (4) stitch at the first pressed fold line of binding. Cut the length of the binding down to the size required.



27. Bring the binding round to the inside. Tack to cover the stitch line.



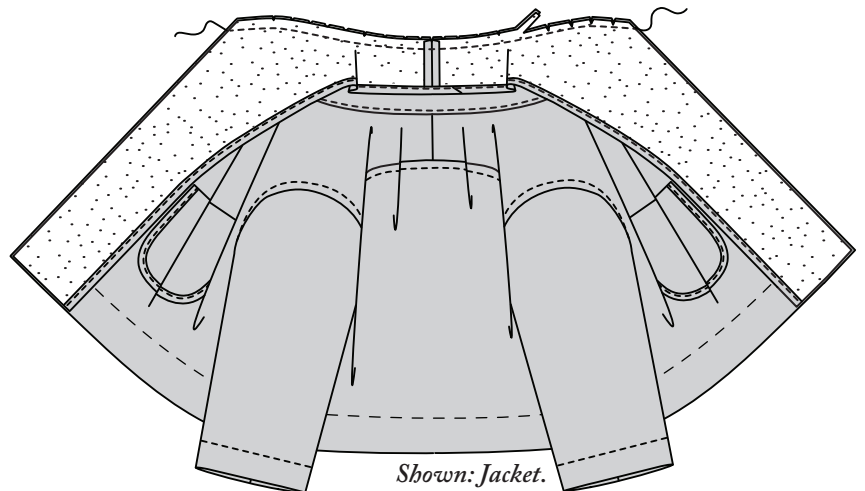
28. Topstitch over the tacking, through all layers. Remove tacking.



IGNORE STEPS 26-35 FROM SANDA INSTRUCTIONS

ATTACH FACING TO JACKET/COAT AT NECK

32. With right sides together and matching notches, stitch facing to jacket/coat at the neck only, sandwiching in the collar. Layer seam allowance and notch curves.

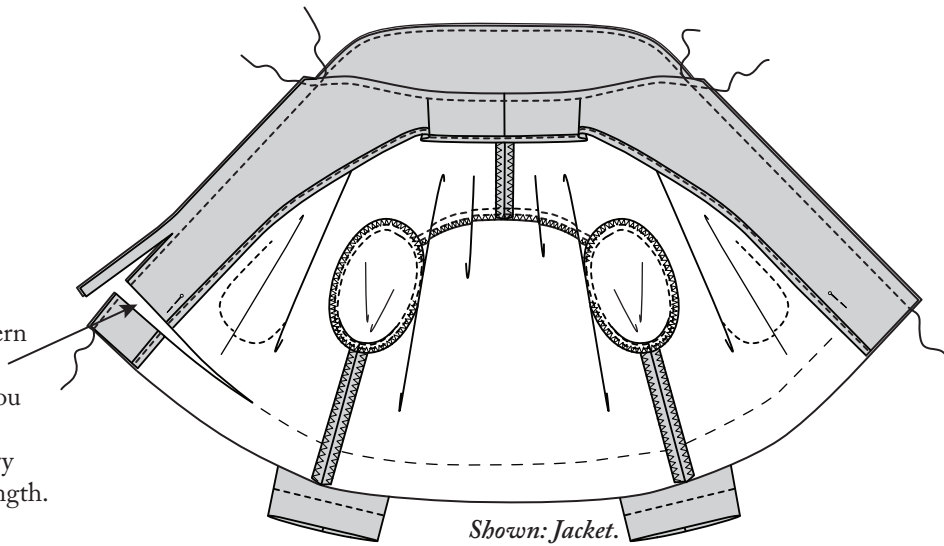


*Pressing oilskin should be avoided, instead - flatten with the blunt side of your scissors/shears or with a corner turner. Seams can also be opened by pressing with your thumb and index finger.

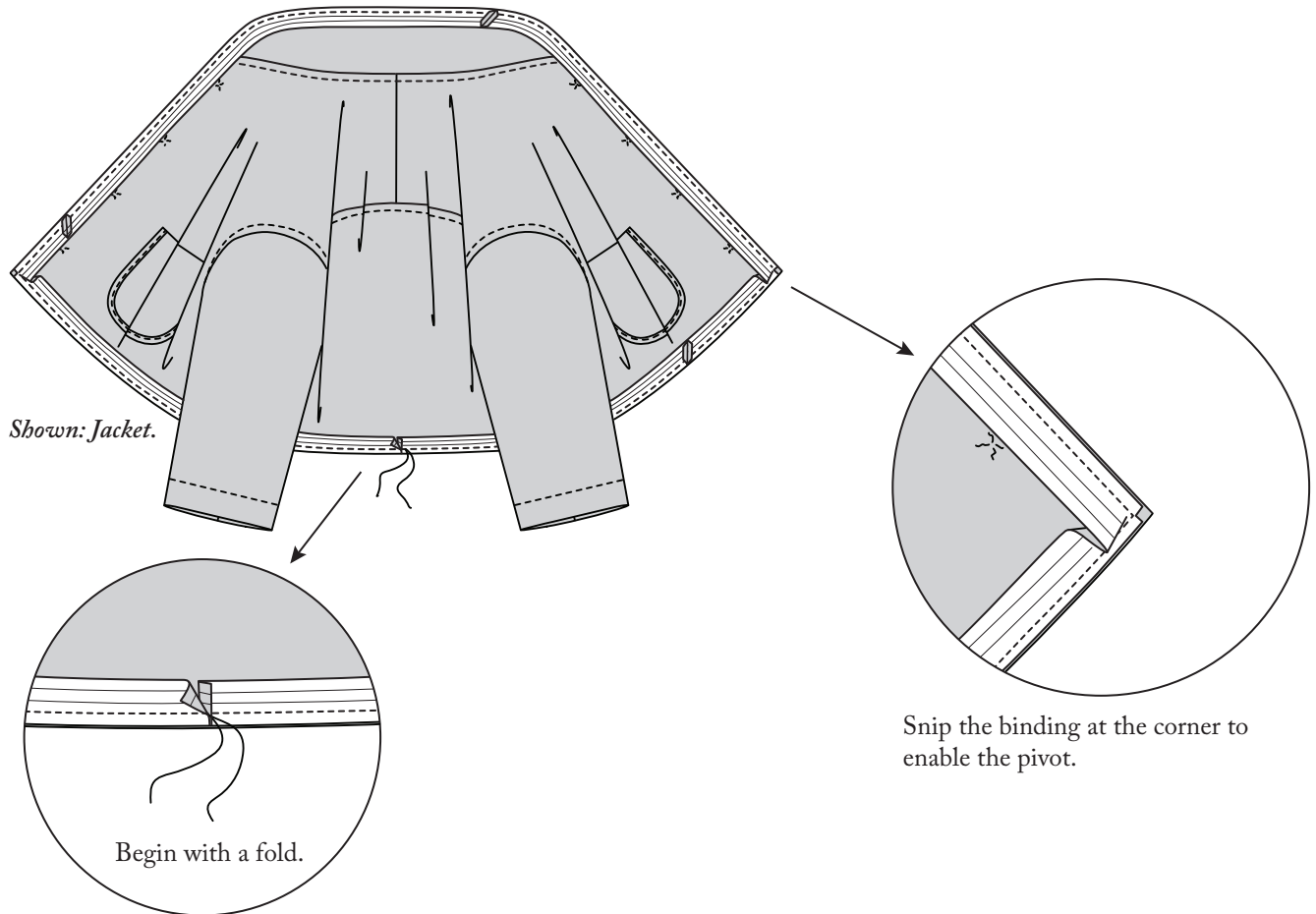
ATTACH FACING TO JACKET/COAT

33. Bring the facing to the right side and press*. With wrong sides together and matching notches, stitch facing to jacket/coat along both front edges, 2cm from the raw edge. Trim off 1.5cm

Optional: The pattern has a 5cm hem allowance, which you have the option of cutting off here - try on first to check length.

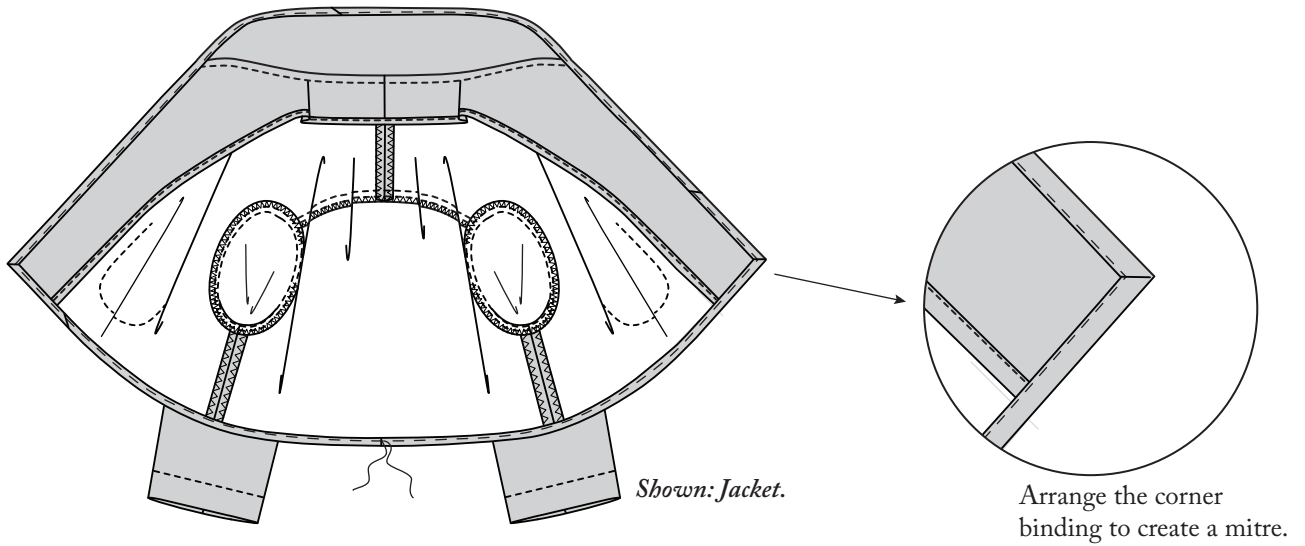


34. With the right side of the binding to the right side of the entire jacket/coat, stitch along the first binding fold line.

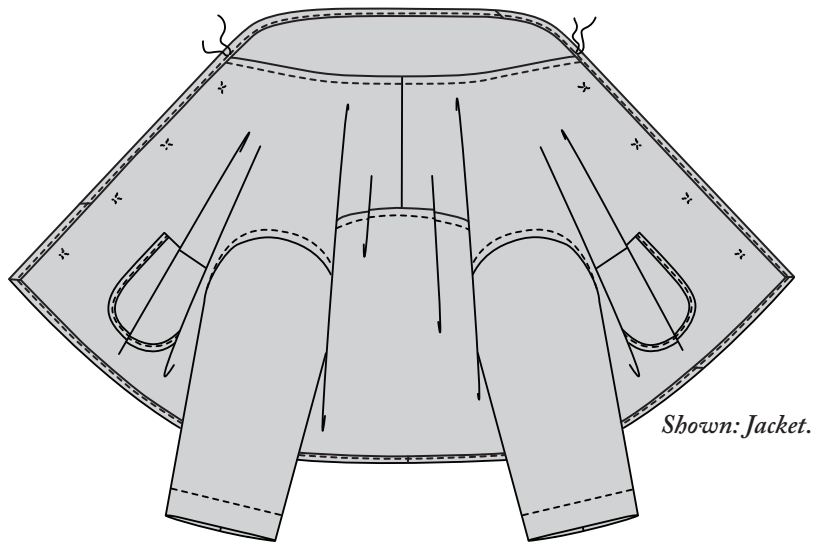


*Pressing oilskin should be avoided, instead - flatten with the blunt side of your scissors/shears or with a corner turner. Seams can also be opened by pressing with your thumb and index finger.

35. Bring the binding round to the inside. Tack to cover the stitch line.



36. Topstitch over the tacking, through all layers; the main jacket/coat from the right side, the collar from what will be the right side when it is turned down (wrong side of this illustration). Remove tacking.



WORK STEPS 36 - 37 FROM SANDA INSTRUCTIONS